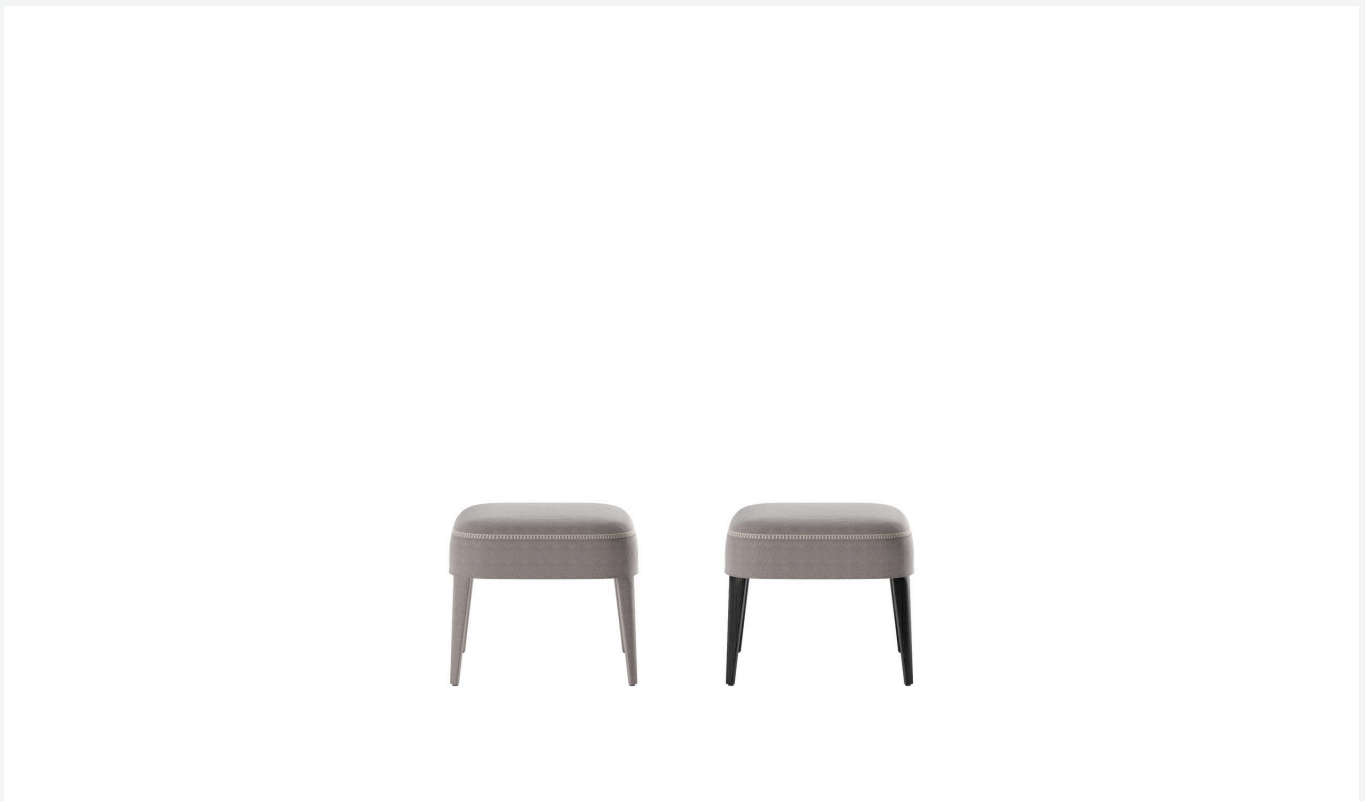


Febo

OTTOMAN

2008

Antonio Citterio



Description

Febo is a family of seats that carries with it the memory of a traditional design distinguished by a large enveloping back without armrests. The sofas, available as two-seater or three-seater, come in two sizes: a smaller one with low or high seat cushion and a larger one. The upholstery is in fabric or leather with visible blanket stitching. The base-frame and legs are in solid wood and are also available in a single-material version, covered in fabric or leather like the cushions.

Technical information

Internal frame

tubular steel and steel profiles

Internal frame upholstery

Bayfit® flexible cold shaped polyurethane foam, polyester fibre cover

Legs

thermoplastic material or covered in fabric or leather

Base-frame

solid wood

Ferrules

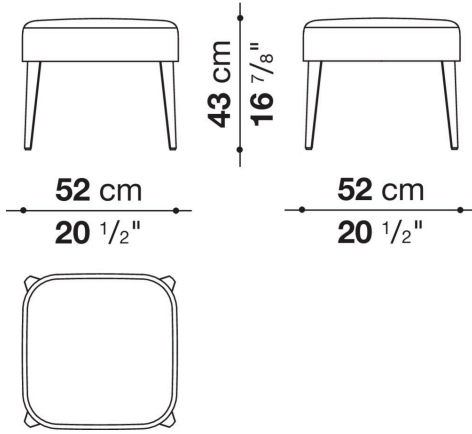
thermoplastic material

Cover

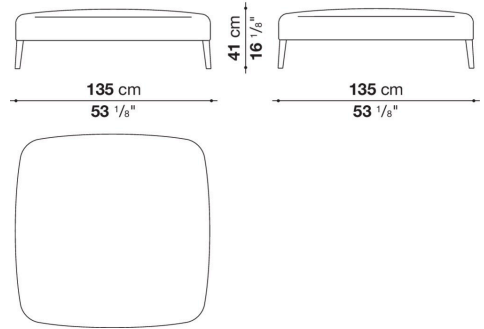
fabric (blanket stitching) or leather (blanket stitching or raised stitching)

Technical drawings

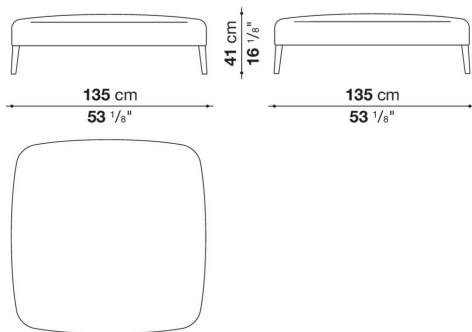
2835T



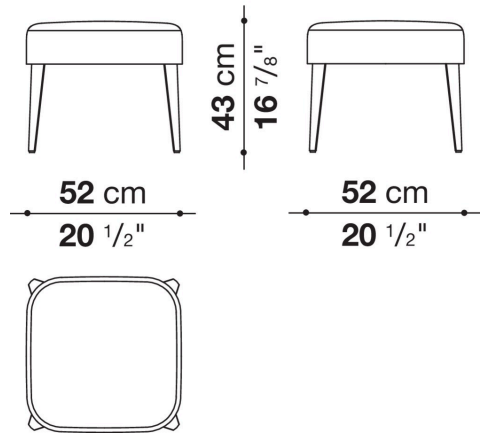
2805PT



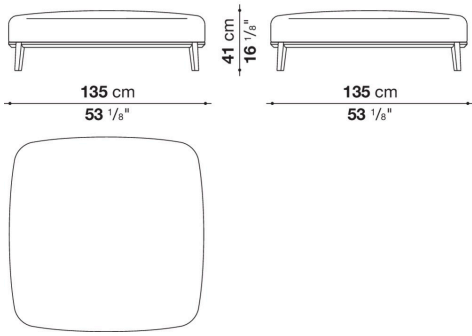
2805PCT



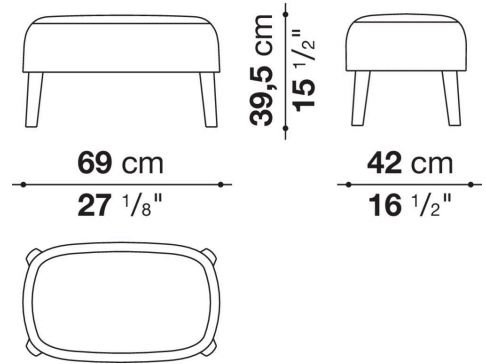
2835LT



2805PLT



2831T



2831CT

