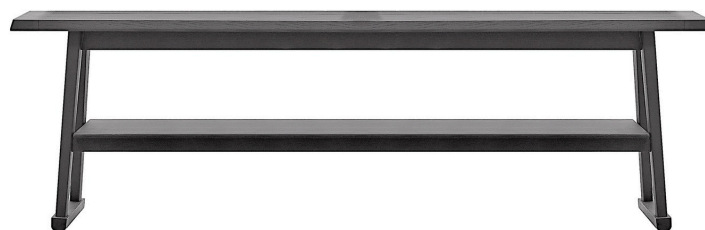


Recipio '14 console

COMPLEMENTS

2014

Antonio Citterio



Description

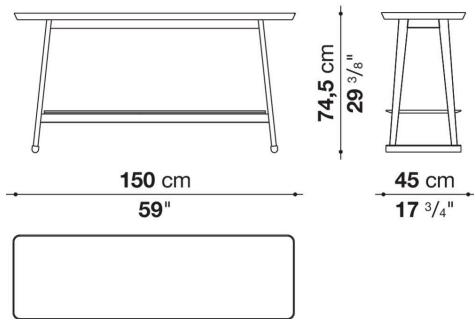
The Recipio '14 console is characterised by a tripod frame in solid beech and by a Baydur® structural polyurethane foam top marked by soft lines and a tray-shaped design. This plain colour console is in a variety of hues.

Technical information

Top (LXC10)
Bayfit® structural expanded polyurethane foam
Top and lower top (LXC20)
solid wood, veneered wood particles panel
Support frame
solid wood
Ferrules
felt

Technical drawings

LXC10



LXC20

