

Lucrezia Soft to size

SOFAS

2021

Antonio Citterio



Description

The Lucrezia Soft version with plain seat cushions may also be made to measure. All the elements may be customised in terms of width and depth, while preserving the product's formal and comfort-related qualities.

Technical information

Internal frame

solid wood, multi-layered wood panel, MDF wood fibre panel

Internal frame upholstery

shaped polyurethane of different density, polyester fibre cover

Seat cushion upholstery

shaped polyurethane of different density, polyester fibre, polyester and cotton fibre cover

Base-frame

die-cast aluminium and extrusions

Ferrules

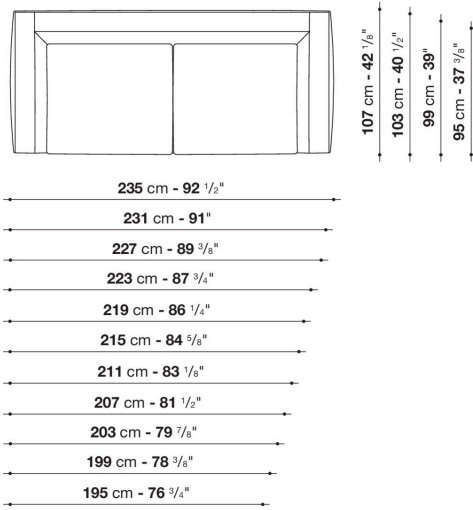
thermoplastic material

Cover

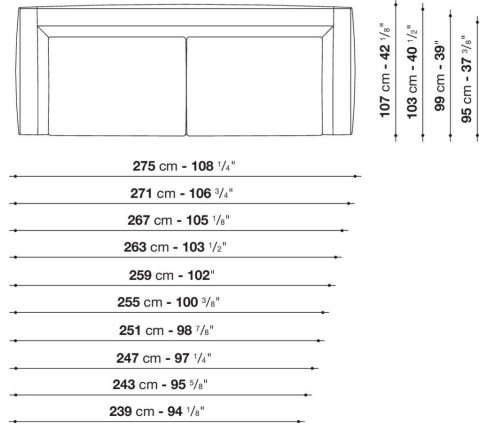
fabric (eco-leather profiles) or leather (profile stitching)

Technical drawings

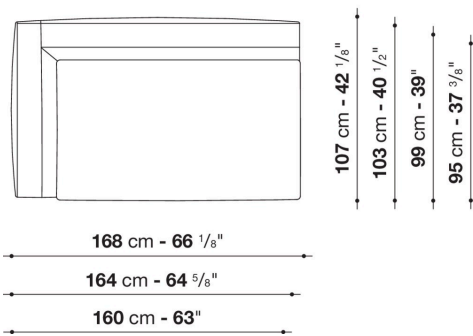
LZM235



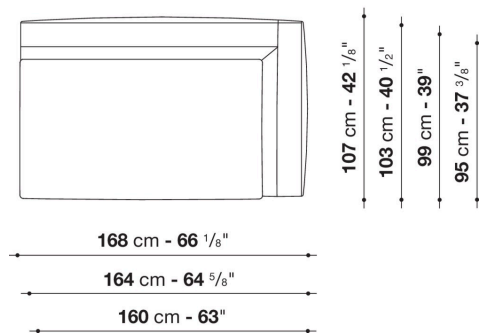
LZM275



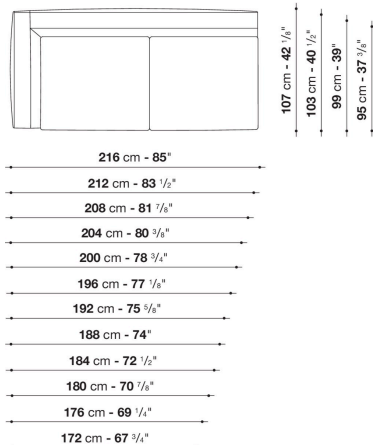
LZM168S



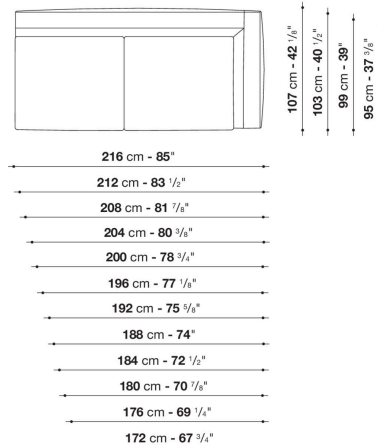
LZM168D

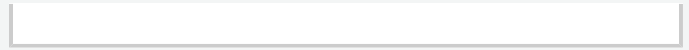


LZM216S

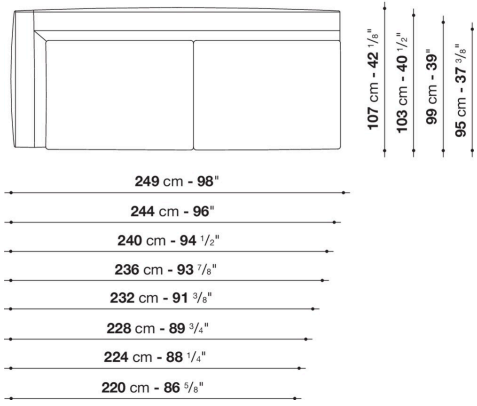


LZM216D

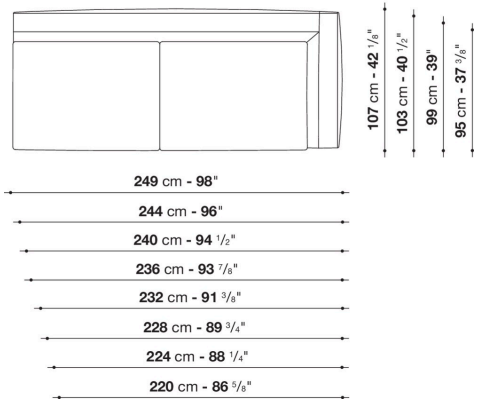




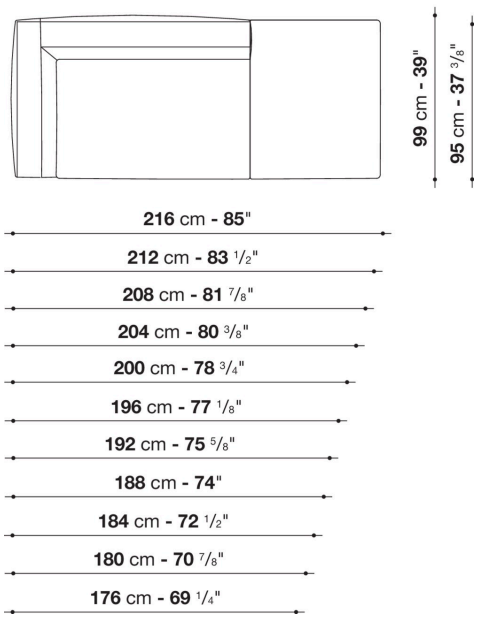
LZM249S



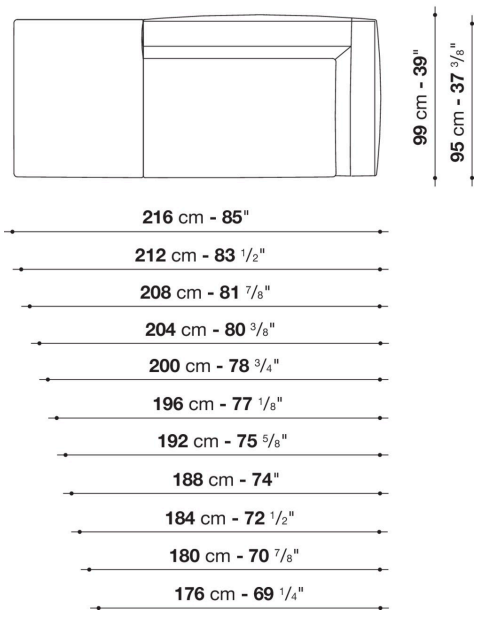
LZM249D



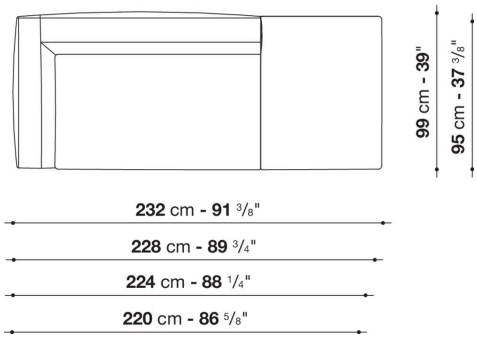
LZM216PS



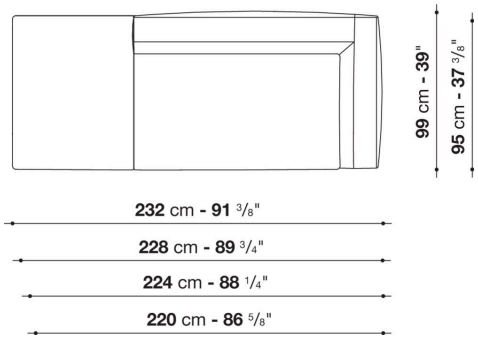
LZM216PD

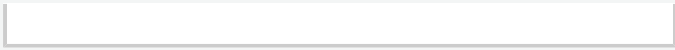


LZM232PS

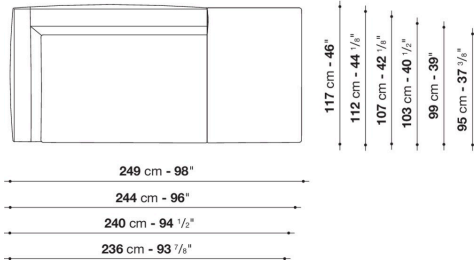


LZM232PD

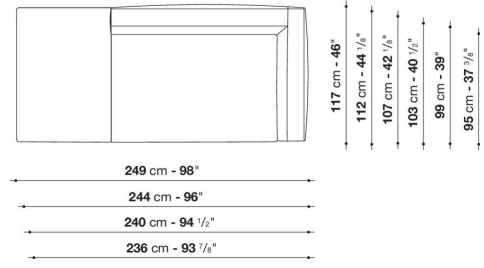




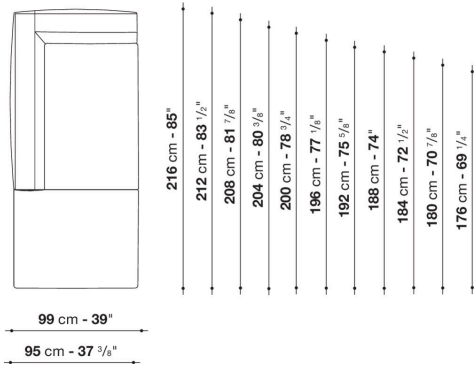
LZM249PS



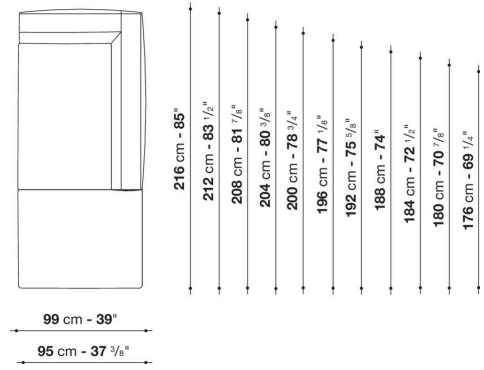
LZM249PD



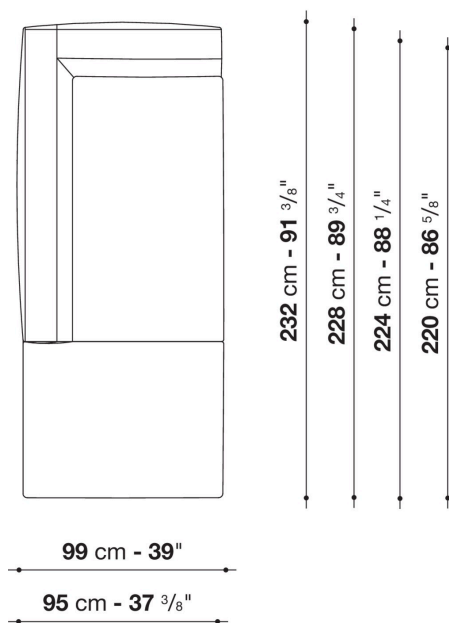
LZM216LS



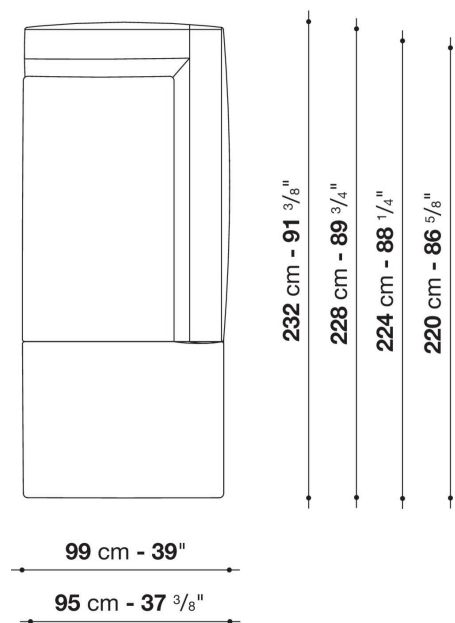
LZM216LD

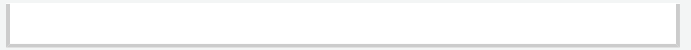
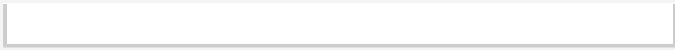


LZM232LS

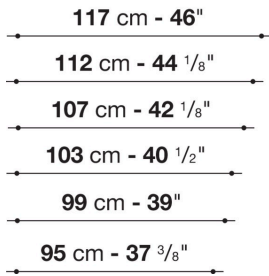
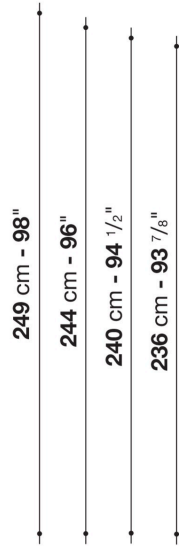
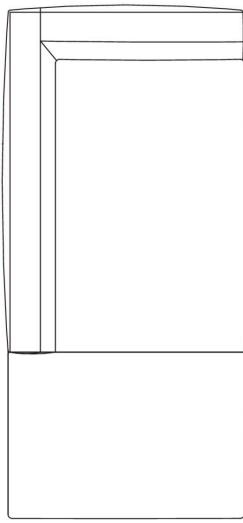


LZM232LD





LZM249LS



LZM249LD

