

Musa

ARMCHAIRS

2006

Antonio Citterio



Description

The Musa armchair stands out for its solid wood frame in different finishes, to be paired with leather or fabric upholstery. Light and sophisticated in character, Musa comes in two versions, one lower and deeper than the other – ideal for furnishing lounge areas marked by exceptional comfort.

Technical information

Frame

solid wood

Seat cushion

shaped polyurethane of different density, sterilized down, polyester fibre cover

Back and armrest

multi-layered wood panel, shaped polyurethane of different density, polyester fibre, sterilized down

Ferrules

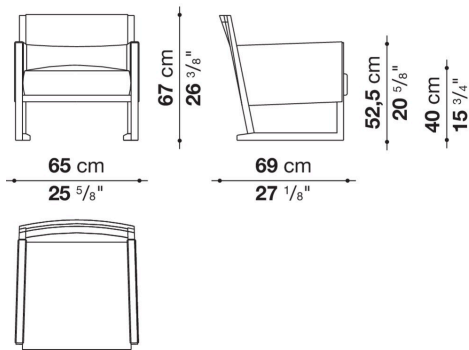
plastic material and felt

Cover

fabric or leather

Technical drawings

SM65P



SM65T

