

Simpliciter

SOFAS

2003

Antonio Citterio



Description

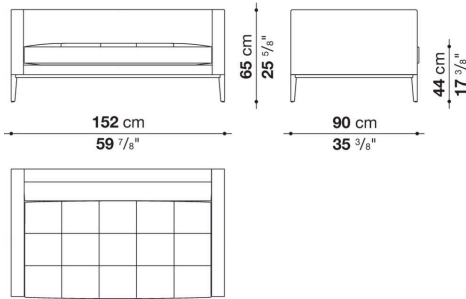
A timeless evergreen, the Simpliciter sofa comes in two versions united by the same classic contemporary spirit. The first is characterised by refined stitching on the seat cushion, in both the fabric and leather versions, and a frame that leaves the feet exposed. In the other, available exclusively in fabric, the cover reaches as far as the ground, for a younger and more feminine touch.

Technical information

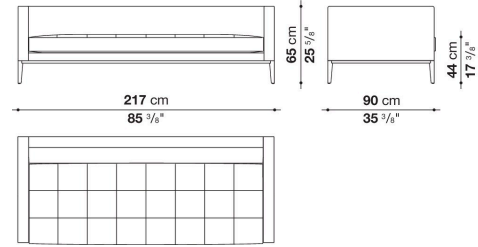
Internal frame
tubular steel and steel profiles
Internal frame upholstery
Bayfit® flexible cold shaped polyurethane foam, shaped polyurethane, polyester fibre cover
Ottoman internal frame upholstery
shaped polyurethane of different density, polyester fibre cover
Seat cushion upholstery
shaped polyurethane of different density, sterilized down, polyester fibre cover
Lower edge
aluminium extrusions
Feet
steel sheet
Ferrules
thermoplastic material
Cover
fabric or leather
Cover (SMTF)
fabric

Technical drawings

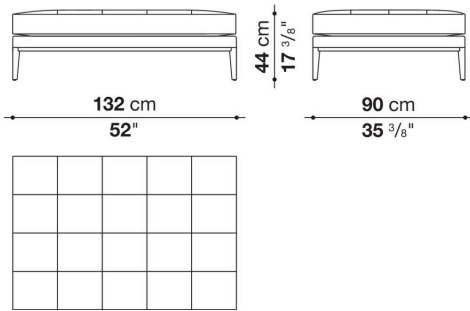
8SMT152_1



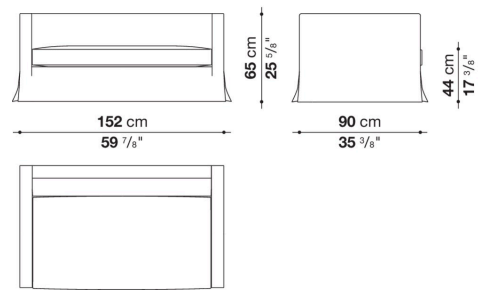
8SMT217_1



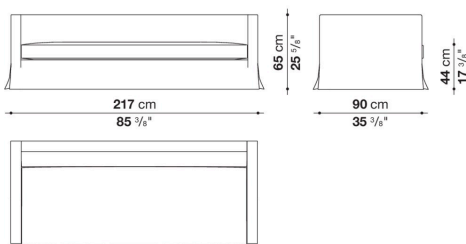
8SMT132_1



SMTF152_1



SMTF217_1



SMTF132

