

## Talamo

BEDS

2007

Antonio Citterio



## Description

---

A double bed with a clean line and perfect proportions, Talamo combines luxury materials with a refined interplay of details, such as the combination of leather bands on the cover with the unusual shape of the wood frame, available in different finishes.

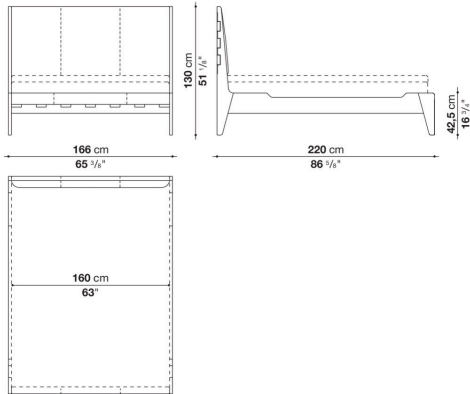
## Technical information

---

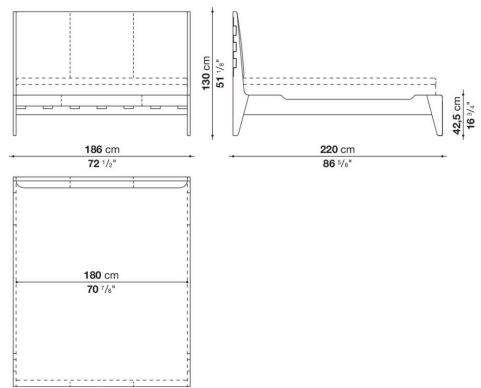
Frame  
solid wood, veneered multi-layered wood panel  
Headboard internal frame  
multi-layered wood panel  
Headboard internal frame upholstery  
shaped polyurethane  
Slatted base  
tubular steel and wood multi-layered slats  
Ferrules  
plastic material  
Cover  
leather

# Technical drawings

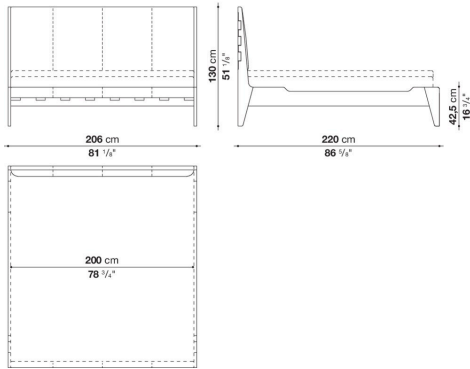
ACL2



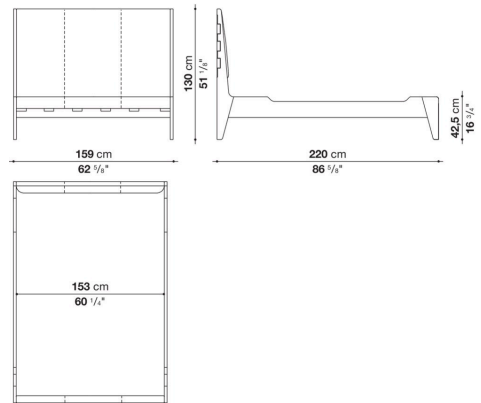
ACL4



ACL5



ACLQ



ACLK

