

Recipio '14 writing-desk

COMPLEMENTS

2014

Antonio Citterio



Description

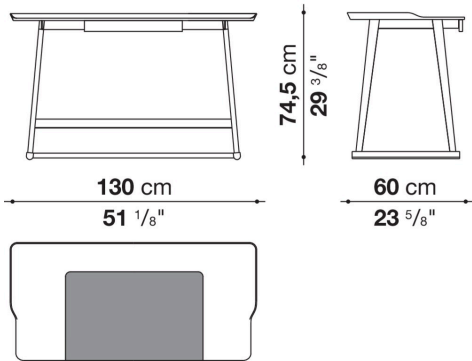
The Recipio '14 writing desk with drawer is characterised by a tripod frame in solid wood and by a Baydur® structural polyurethane foam top marked by soft lines and a tray-shaped design. Particularly sophisticated is the shellac effect finish in a variety of colours. The top is completed by a removable, small, leather-covered top, a functional element that contributes to the desk's refined aesthetics.

Technical information

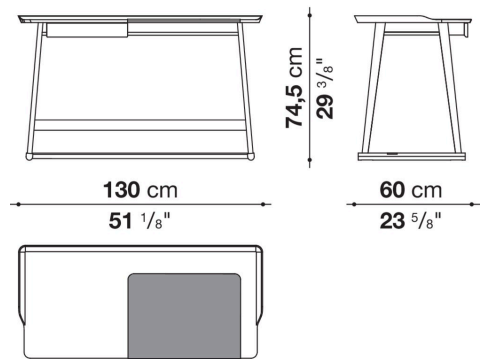
Top
Bayfit® structural expanded polyurethane foam
Top section
steel sheet covered in leather
Support frame
solid wood
Crosspiece protection
aluminium
Ferrules
felt

Technical drawings

LXC5



LXC5_S



LXC5_D

