

Simpliciter

ARMCHAIRS

2003

Antonio Citterio



Description

A true evergreen, the Simpliciter armchair stands out for its light frame underscored by slender armrests, a single topstitched seat cushion, and painted aluminium feet. It also comes in a fresher, more feminine version with a textile cover that reaches as far as the ground. A sofa and ottoman complete the line.

Technical information

Internal frame

tubular steel and steel profiles

Internal frame upholstery

Bayfit® flexible cold shaped polyurethane foam, shaped polyurethane, polyester fibre cover

Seat cushion upholstery

shaped polyurethane of different density, sterilized down, polyester fibre cover

Lower edge

aluminium extrusions

Feet

steel sheet

Ferrules

thermoplastic material

Cover

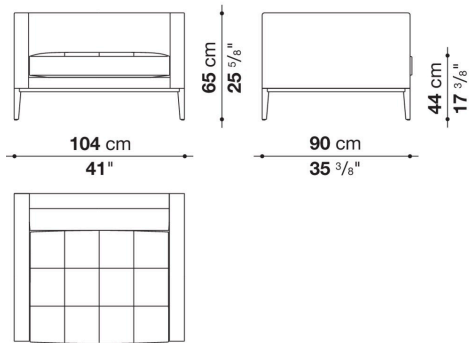
fabric or leather

Cover (SMTF)

fabric

Technical drawings

8SMT104_1



SMTF104

