

## Apollo

SOFAS

2019

Antonio Citterio



## Description

---

An in-line sofa, curved sofa, terminal elements or chaise longue, a dormeuse and a swivel armchair: these are the elements making up this seating collection with a distinctive personality. Each is marked by curved yet rigorous forms, creating a very harmonious and balanced aesthetic. The backrest design, generous seat depth, anatomical shapes and soft padding are all elements that make Apollo extremely welcoming and comfortable. The rich selection of upholstery includes a wide range of fine fabrics and leathers. The fabric covers are further embellished with relief stitching, while the leather ones feature elegant "envelope" stitching. The frame is defined by a painted aluminium edge available in a range of sophisticated colours.

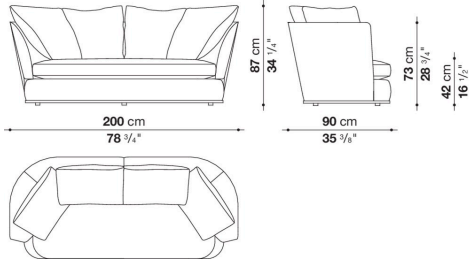
## Technical information

---

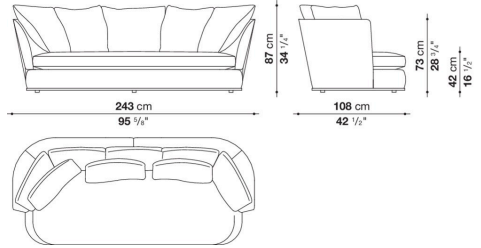
Back internal frame  
tubular steel and steel profiles  
Seat internal frame  
solid wood  
Back internal frame upholstery  
Bayfit® flexible cold shaped polyurethane foam, polyester fibre  
Seat internal frame upholstery  
shaped polyurethane of different density, polyester fibre cover  
Seat cushion upholstery  
shaped polyurethane of different density, sterilized down, polyester fibre cover  
Back cushion upholstery  
shaped polyurethane, sterilized down  
Lower edge  
aluminium extrusions  
Ferrules  
plastic material  
Cover  
fabric (raised stitching) or leather (envelope stitching)

# Technical drawings

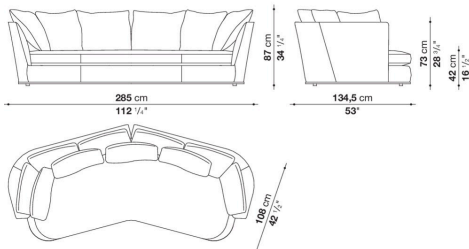
**APL200**



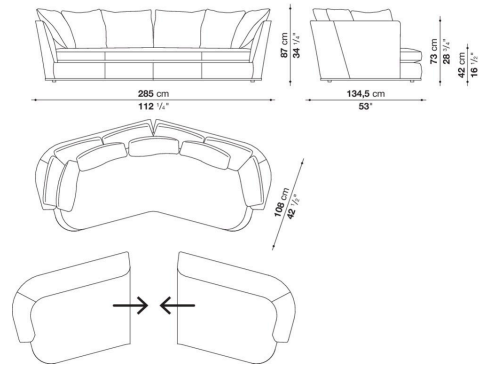
**APL243**



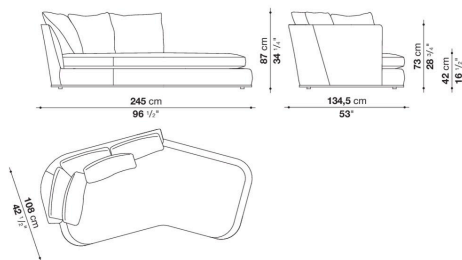
**APL285**



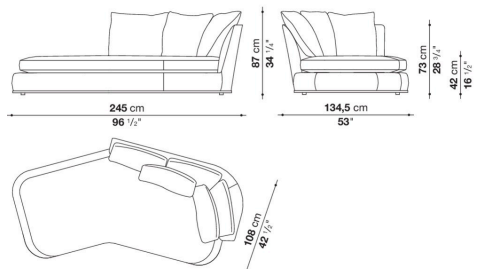
**APL285\_SM**



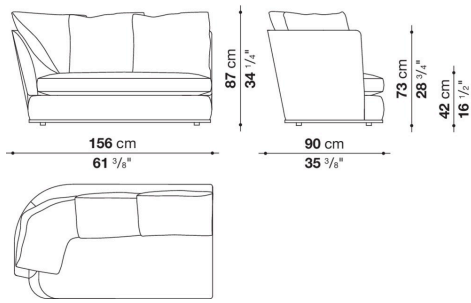
**APL245S**



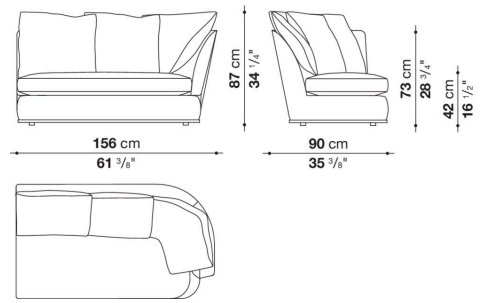
**APL245D**



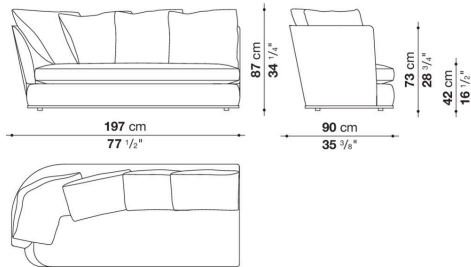
**APL156TS**



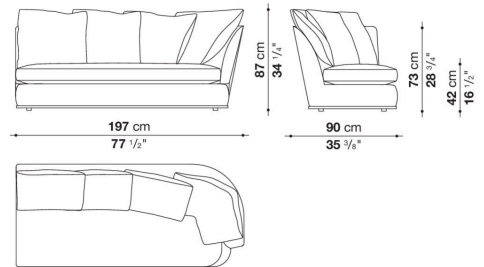
**APL156TD**



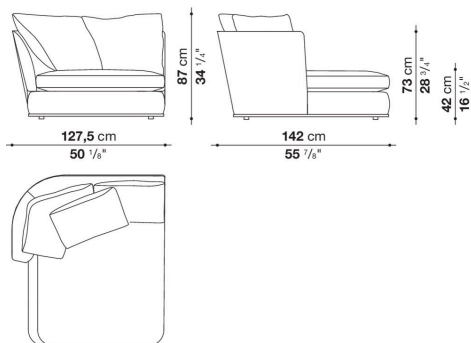
**APL197TS**



**APL197TD**



**APL142LS**



**APL142LD**

