

Astrum

TABLES

2017

Antonio Citterio



Description

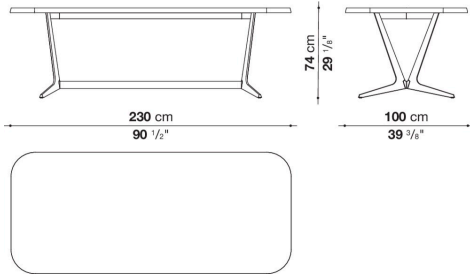
Astrum is a collection of tables, rectangular, round and oval, distinguished by the special “sawhorse” base-frame. The frame is made of a single die-cast aluminium support with painted finish that, based on the table shape, is composed of two or three elements connected by a crosspiece and forming the base-frame for rectangular tables, while three elements connected at the base of a steel ring establish the support for round tables. The triangular section of the support, raised from the ground with a slight tilt, gives the structure both lightness and solidity. The tables tops are provided in various finishes of wood, lacquered and marble. Only with the round versions it is possible to insert a swivel tray.

Technical information

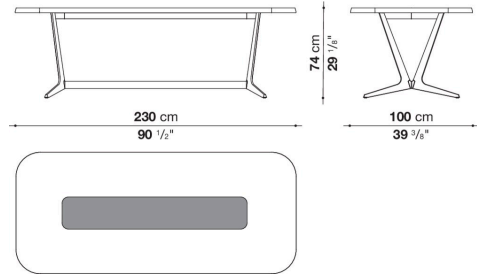
Top
MDF wood fibre panel or wood particles panel and veneered solid wood or marble (glossy polyester finish or matt polyester finish)
Legs and joints
die-cast aluminium
Upper crosspiece
steel
Lower crosspiece
aluminium extrusion
Swivel tray (LXA7V-LXA10V)
veneered multi-layered wood or marble (glossy polyester finish or matt polyester finish)
Swivel tray rotation mechanism (LXA7V-LXA10V)
HPL stratified laminate and aluminium with steel balls
Ferrules
plastic material

Technical drawings

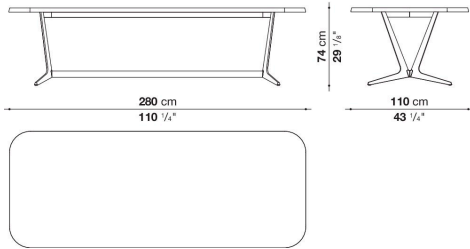
LXA1



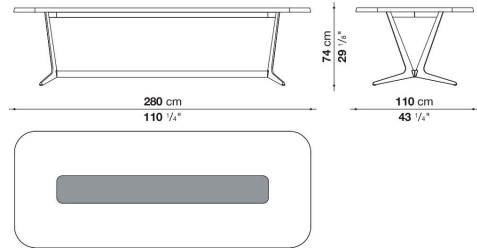
LXA1B



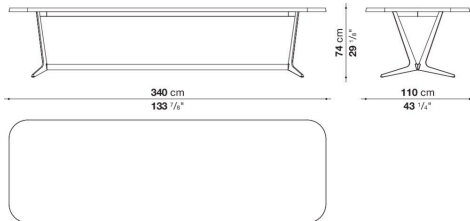
LXA2



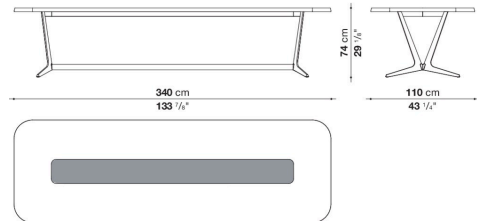
LXA2B



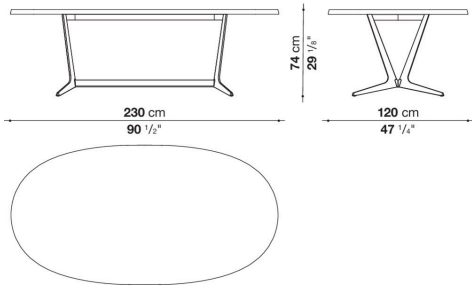
LXA3



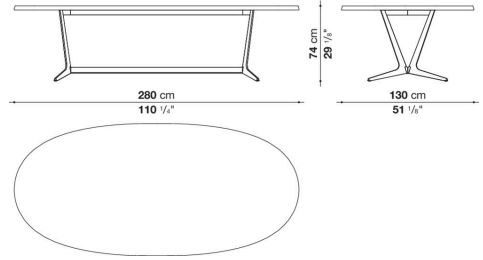
LXA3B



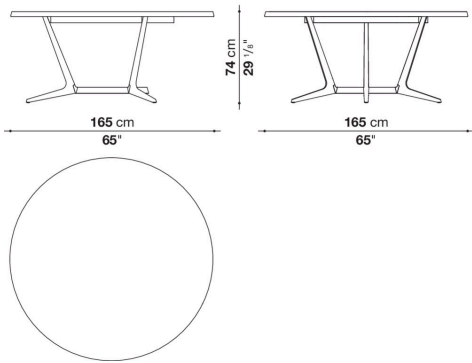
LXA5



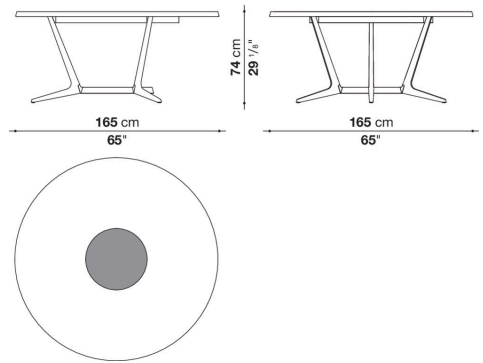
LXA6



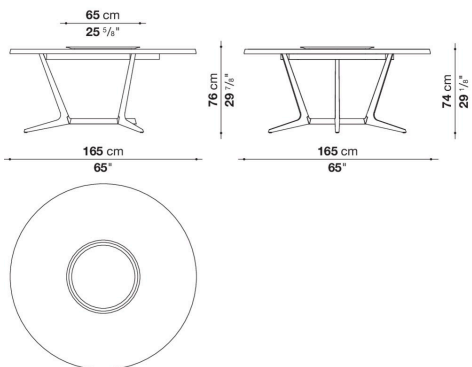
LXA11



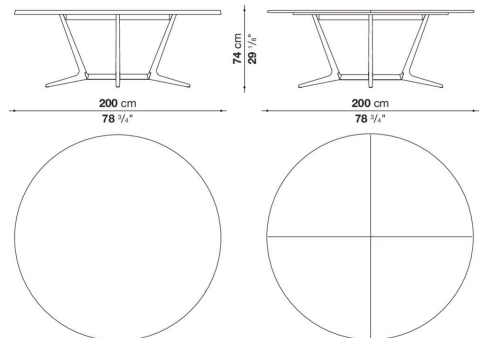
LXA11B



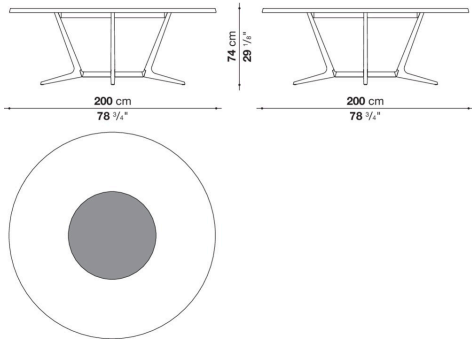
LXA11G



LXA12



LXA12B



LXA12G

