

## Bauci

BEDS

2000

Antonio Citterio



## Description

---

The Bauci bed is provided with a slatted base that can be lifted and has a practical compartment below. The lower edge is in painted steel. A precious detail is given by the peripheral base of solid wood which can be chosen between different colours. The bed can be combined with all the headboard included in the collection.

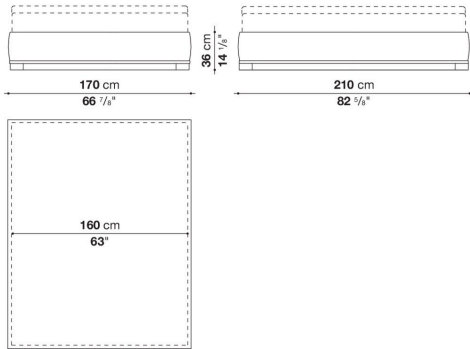
## Technical information

---

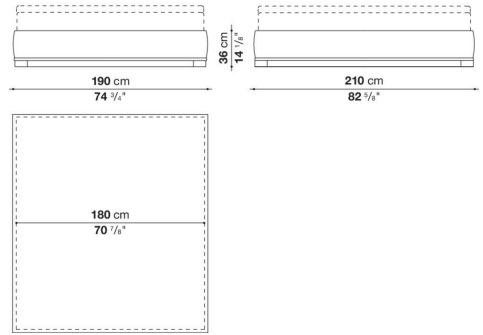
Internal frame  
tubular steel and steel profiles  
Internal frame upholstery  
Bayfit® flexible cold shaped polyurethane foam, polyester fibre cover  
Feet and peripheral base  
solid wood  
Lower edge  
steel profiles  
Internal top (2046)  
MDF wood fibre panel  
Slatted base (2046)  
tubular steel and wood multi-layered slats  
Slatted base raising mechanism (2046)  
operated by a manually controlled gas-lift  
Cover  
fabric or leather

# Technical drawings

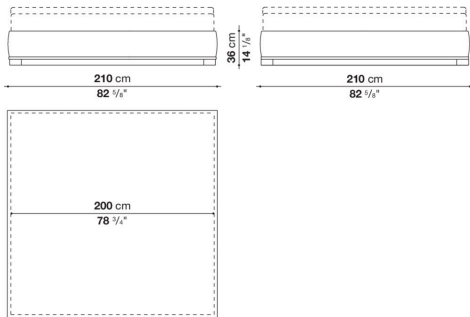
2045\_2



2045\_4



2045\_5



2046\_2

