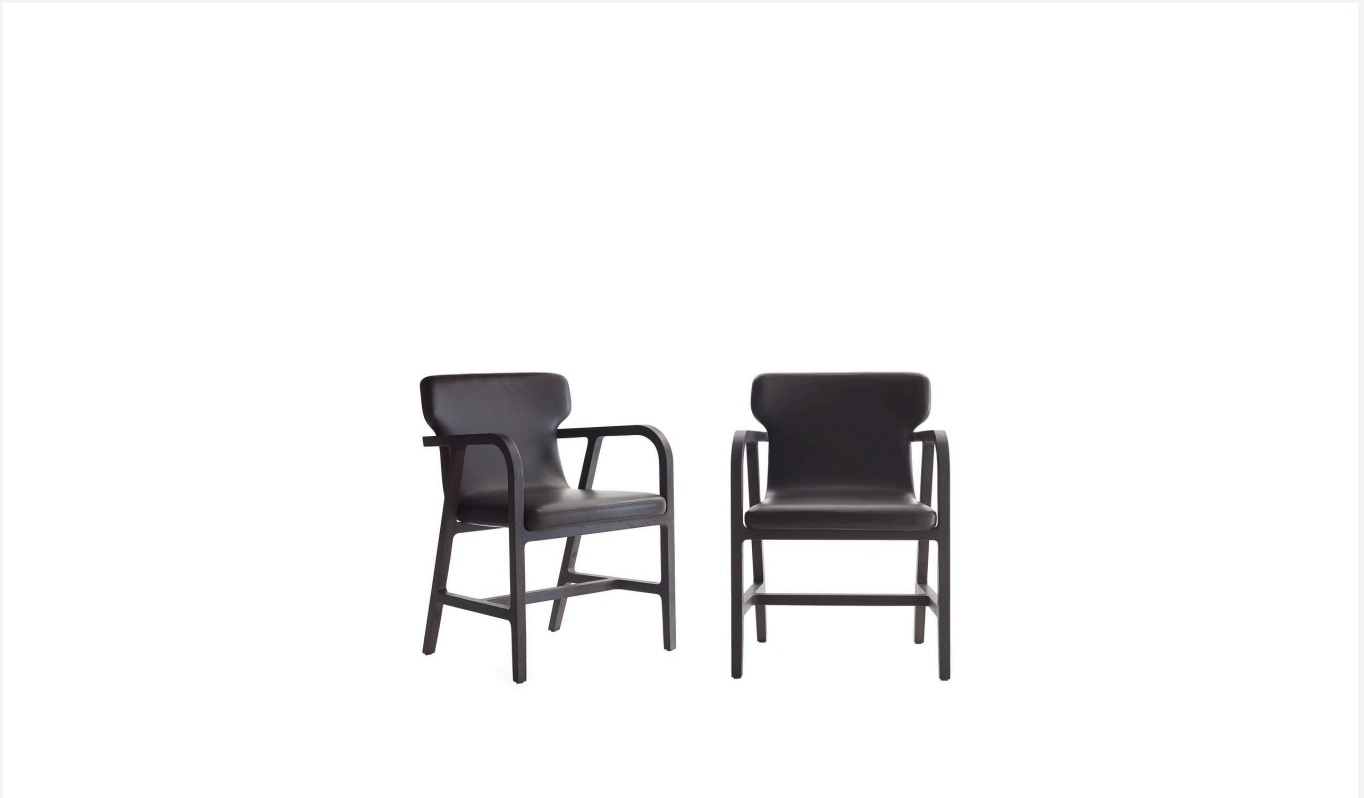


Fulgens

CHAIRS

2014

Antonio Citterio



Description

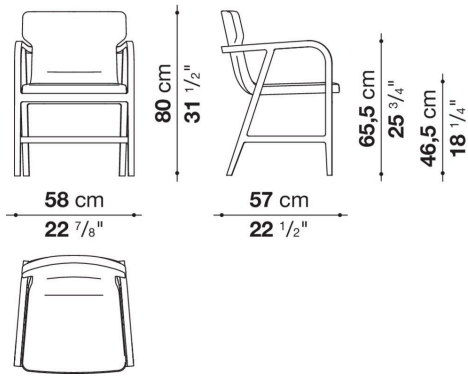
Chair with armrests that shares with the small armchair the finishes and the handcrafted excellence. Stylistically, the piece evokes classic thonet pieces without oriental overtones, confirmed by the silky hand of the wood. The seat-back shell, externally shellac lacquered, is internally upholstered and covered in leather or fabric.

Technical information

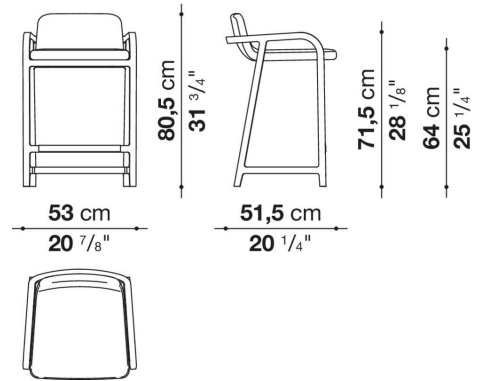
Seat upholstery
steel frame, Bayfit® flexible cold shaped polyurethane foam
Frame
solid wood
Ferrules
thermoplastic material
Additional ferrules
felt
Cover
fabric or leather

Technical drawings

LX58



LX53B



LX53

