

## Dike

BEDS

2019

Antonio Citterio



## Description

---

The Dike bed stands out for its long slip cover in harmony with a precious concept of the bedroom area. The bed sides can be covered with numerous fabrics from the collection. In addition to the headboard of the same series, the Dike bed can also be combined with all the headboards in the collection.

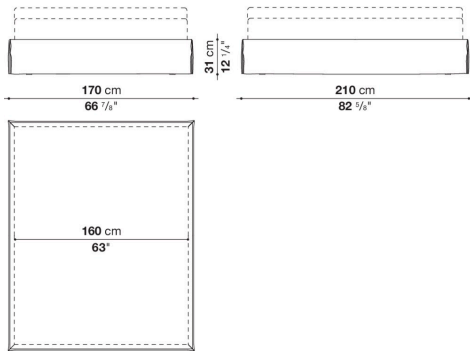
## Technical information

---

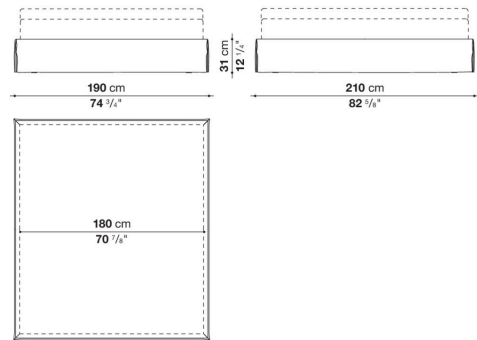
Internal frame  
tubular steel and steel profiles  
Internal frame upholstery  
Bayfit® flexible cold shaped polyurethane foam, polyester fibre cover  
External feet  
die-cast aluminium  
Internal feet  
tubular steel and steel profiles  
Wheels support frame  
steel  
Wheels  
plastic material  
Ferrules  
thermoplastic material  
Cover  
fabric

# Technical drawings

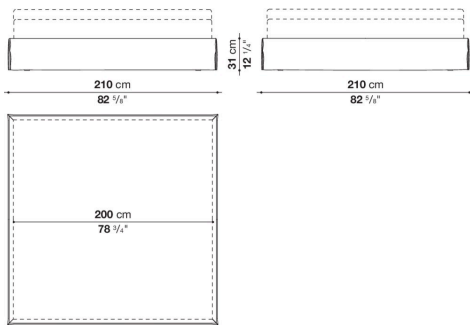
**LD160**



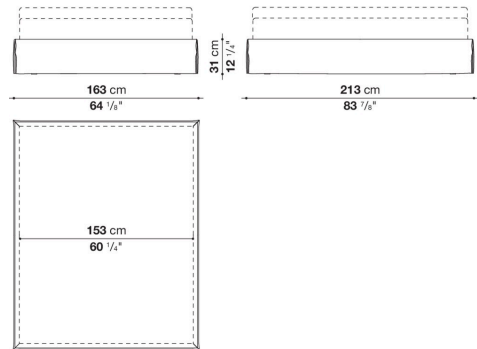
**LD180**



**LD200**



**LD153Q**



**LD193K**

